

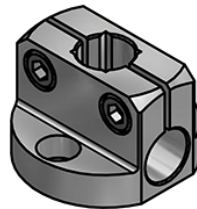
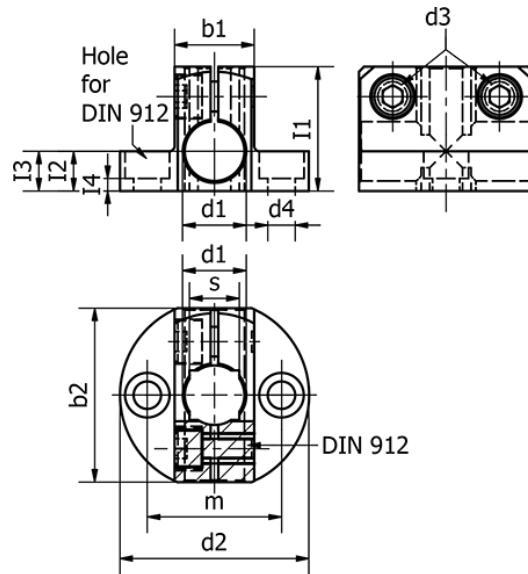
# Data Sheet



Article number: 20473B20MT

Description: E+G Foot clamp mounting - GN 473-B20-MT

## Measures



|                     |                |            |        |
|---------------------|----------------|------------|--------|
| b1                  | = 25           | l2         | = 12.5 |
| b2                  | = 44           | l3         | = 15.2 |
| Clamping kit for d3 | = GN 511-M6-25 | l4         | = 6.5  |
| d1                  | = B20          | m          | = 36   |
| d2                  | = 50           | s          | = 16   |
| d3                  | = M6           | Weight (g) | = 76   |
| d4                  | = M6           |            |        |
| l1                  | = 35           |            |        |